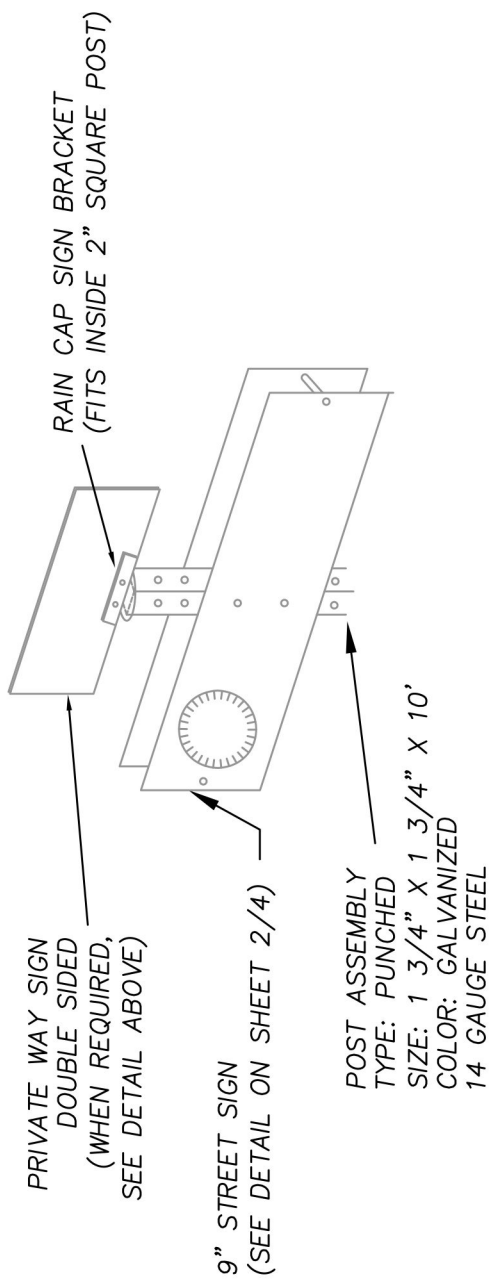


- NOTES:**
1. SIGN SHALL BE PRINTED ON BOTH SIDES
 2. MATERIAL: 0.08" THICK FLAT ALUMINUM
3M HI-INTENSITY GRADE SHEETING
 3. FONT: ARIAL
 4. COLOR: ORANGE, BLACK



PRIVATE WAY SIGN INSTALLATION
(when required)



TOWN OF MIDDLETON
DEPARTMENT OF PUBLIC WORKS
 195 North Main Street, Middleton, MA 01949
 Phone: 978-777-0407 ~ Fax: 978-774-0718

Private Way Sign Detail